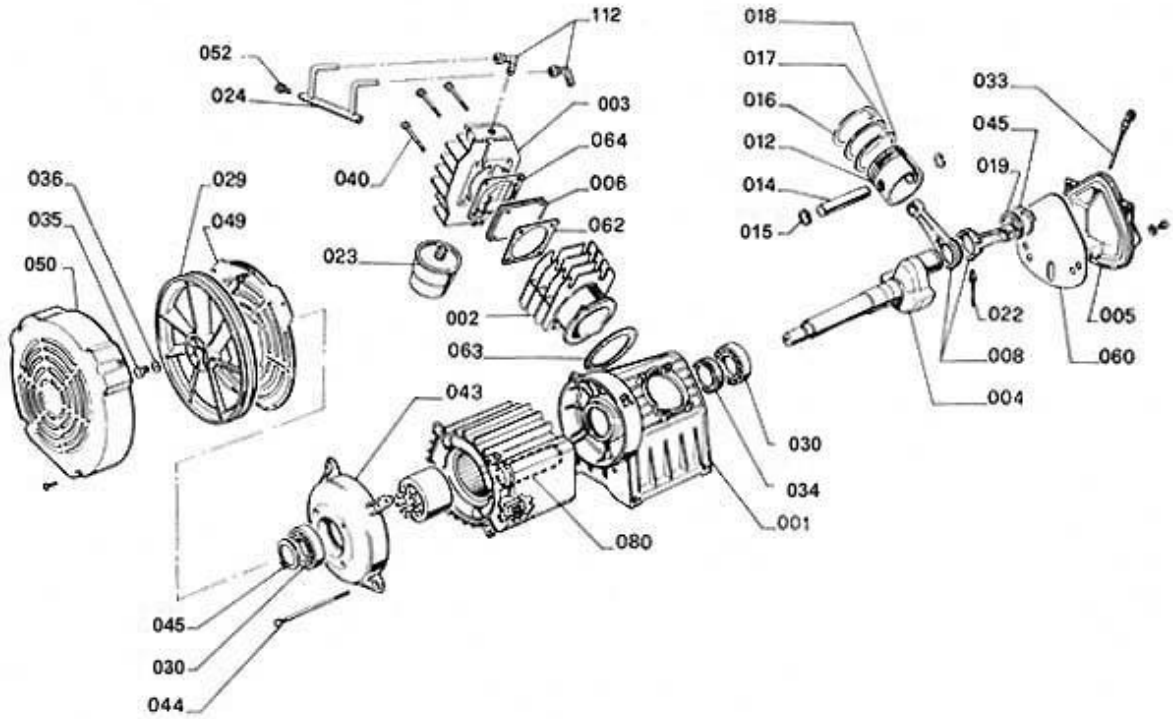
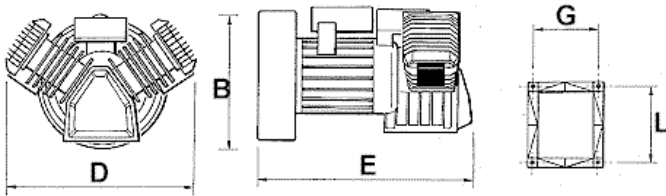


Code: 3D00000

NV 34 - 230V 50Hz - 4P



Dimensions:



In mm

A	B	C	D	E	F	G	L	M	N	P
	350	/	380	495	/	130	156	/	9	1/2" F

Box Weight: 26.5 Kg Box Dimensions: W x D x L: 406 x 501 x 377

Tightening Torques, Cylinder Head:

Bolt Size:	M6	
Min Torque:	9.3	Nm
Max Torque:	11.36	Nm

Technical Data:

Cylinders:	2		
Stages:	1		
Air Flow:	345	L/m in	12,2 cfm
Power:	2,2	Kw	3 HP
Speed:	1450	rpm	
Max Pressure:	9	Bar	131 psi

Code: 3D00000

NV 34 - 230V 50Hz - 4P



<i>Svc</i>	<i>Ref</i>	<i>Code</i>	<i>Description</i>	<i>Qty</i>	<i>Modified</i>
<input checked="" type="checkbox"/>	000	3D50050	Gasket Kit	1	
<input type="checkbox"/>	001	3N60100	Crankase	1	
<input type="checkbox"/>	002	7330000	Cylinder	2	
<input type="checkbox"/>	003	1761401	Pump head	2	
<input type="checkbox"/>	004	3N60200	Crankshaft	1	
<input type="checkbox"/>	005	3N60300	Sump base	1	
<input checked="" type="checkbox"/>	006	0540051	Valve plate assy.	2	
<input type="checkbox"/>	006	7940051	Valve plate assy.	2	03.11.1996
<input type="checkbox"/>	006	0540050	Valve plate assy.	2	30.11.1996
<input type="checkbox"/>	008	3D10200	Connecting rod	1	
<input type="checkbox"/>	008	3D10100	Connecting rod	1	
<input type="checkbox"/>	008	3V10100	Connecting rod	1	15.09.1996
<input type="checkbox"/>	008	3V10200	Connecting rod	1	15.09.1996
<input type="checkbox"/>	012	1421100	Piston D. Pin D.	2	
<input type="checkbox"/>	012	3D21100	Piston D. Pin D.	2	13.09.1998
<input type="checkbox"/>	014	7921200	Pin	2	
<input type="checkbox"/>	015	9140040	Circlip	4	
<input type="checkbox"/>	016	9020011	Piston ring AC	2	
<input type="checkbox"/>	017	9020041	Piston ring ROS	2	
<input type="checkbox"/>	018	9020071	Piston ring ROF	2	
<input type="checkbox"/>	019	9004031		1	
<input type="checkbox"/>	022	9014006	Oil dipper	1	
<input checked="" type="checkbox"/>	023	6581000	Filter	2	
<input type="checkbox"/>	024	9053662	Aftercooler	1	
<input type="checkbox"/>	029	2600100	Fly wheel	1	
<input type="checkbox"/>	030	9170085	Bearing	1	
<input type="checkbox"/>	030	9170090	Bearing	1	
<input type="checkbox"/>	030	9170086	Bearing	1	01.09.1996
<input type="checkbox"/>	033	9024020	Oil fill plug	1	
<input type="checkbox"/>	034	9163030	Oil seal	1	
<input type="checkbox"/>	036	9004008	Fly w heel w asher	1	
<input type="checkbox"/>	040	9011048	Cylinder head bolts	8	
<input type="checkbox"/>	040	9101124	Cylinder head bolts	8	30.06.2000
<input type="checkbox"/>	043	3N60400	Motor cover	1	
<input type="checkbox"/>	044	9067182	Motor bolts	4	
<input type="checkbox"/>	045	9140170	Circlip	1	
<input type="checkbox"/>	045	9140130	Circlip	1	
<input type="checkbox"/>	049	8356100	Cover	1	
<input type="checkbox"/>	050	8356200	Cover plate	1	
<input type="checkbox"/>	052	9053551	Valve	2	
<input type="checkbox"/>	112	9053005	Connection	2	

Svc = Service Item